

NAMUR SOLENOID VALVE 5/2 WAY



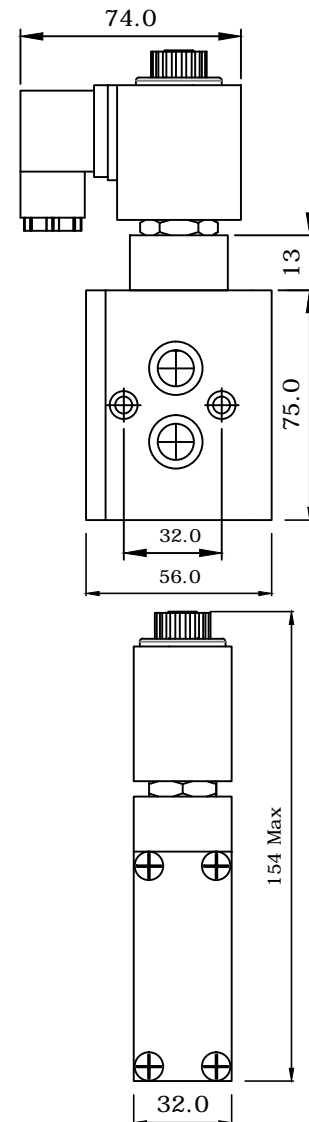
Features :

- Mounts directly on actuator/Control valve.
- Soft seating, Zero leak Direct acting and Pilot Operated valves.
- Continuous duty rated solenoid.
- Push Button Manual override is available on the valve as a standard.
- Highly reliable operation in tropical condition.
- Special versions may be developed on request.



Technical Specifications :

Model	KN-412-14			
Medium	Filtered, Lubricated, Compressed air			
Port Size	G1/4 BSP (F)			
Fluid / Ambient temp	5° - 60° C			
Orifice (NW)	6			
Operating pressure (bar)	2 - 10			
Flow rate (lpm)	650			
Electrical				
Operating Voltage (V)	AC		DC	
	24	230	12	24
Power Consumption (W)	6		8	
Duty Cycle	Continuous			
Type of coil protection	IP65			
Class of insulation	Class - F			
Materials of construction	Aluminium, Brass, S S, Nitrile			



Caution:

- A. To ensure proper functioning
1. Please ensure that inlet port is connected to compressor air source
 2. Exhaust should not be restricted.
- B.AC coil valve should not be used on DC coil valve and vice versa.

Applications:

- Control valve, Rotary Actuator, Spring Return, Use as safety valve with air tank.



Manufactured by :

Kushako India

Office : 490, Narayan Peth, Opp. Pune Marathi Granthalaya, Pune - 411030. (Maharashtra), Website : www.kushakoindia.com

Works : Sr.No. 25/1A, Village Nanded, Sinhgad Road, Tal - Haveli, Dist. Pune -411041

Tel. No : 901169077 / 7620674777

E-mail : kushako.india@gmail.com / kushakoindia1992@gmail.com